

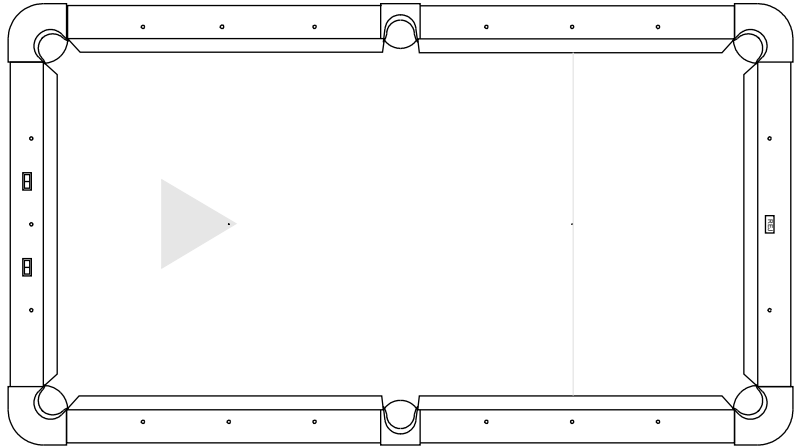
14.1 Log Sheet

Loc:

Date:

Begin each try with a 14-ball rack, a loose break ball and cue ball anywhere. Allow 0, 1 or 2 misses per try.

Try	Racks	Count
1		
2		
3		
4		
5		
6		
7		
8		
9		
10		
Total Count		



Loc:

Date:

Try	Racks	Count
1		
2		
3		
4		
5		
6		
7		
8		
9		
10		
Total Count		

